

Kawasaki 21 hp

Spare parts

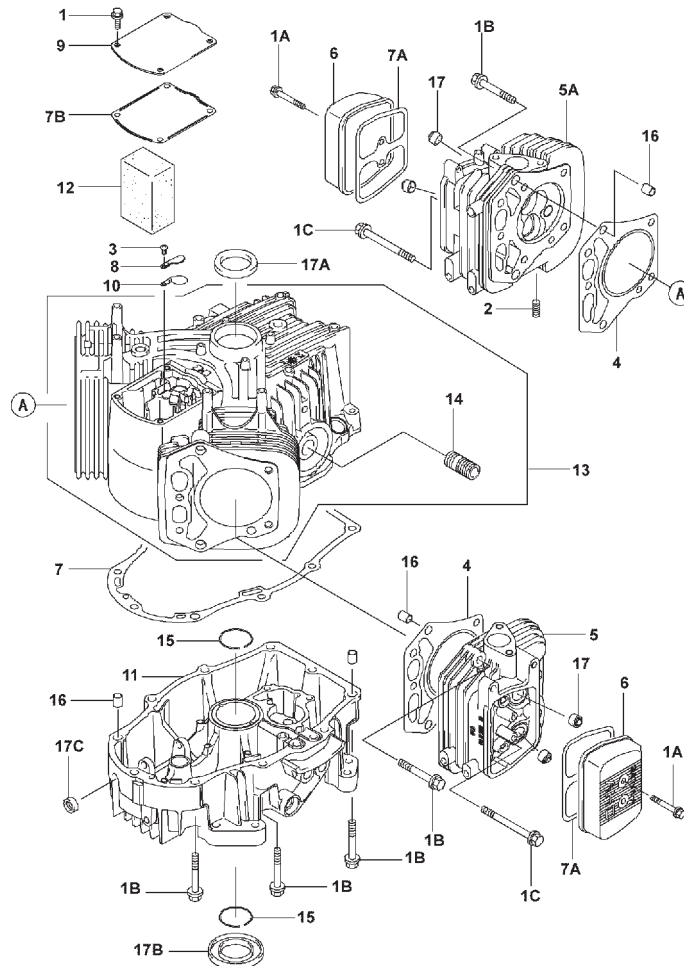
Ersatzteile

Pièces détachées

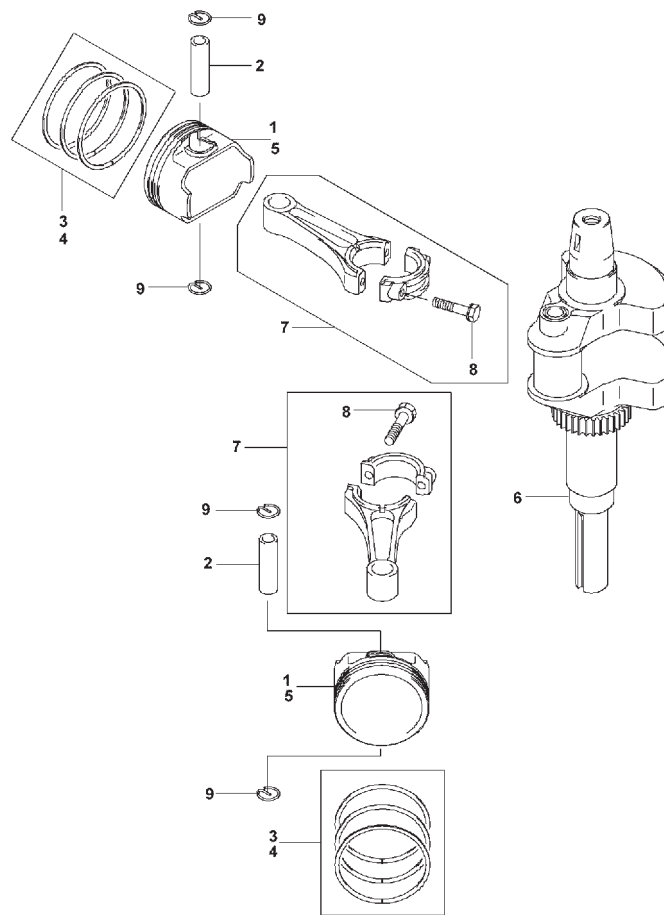
Reserve onderdelen

Repuestos

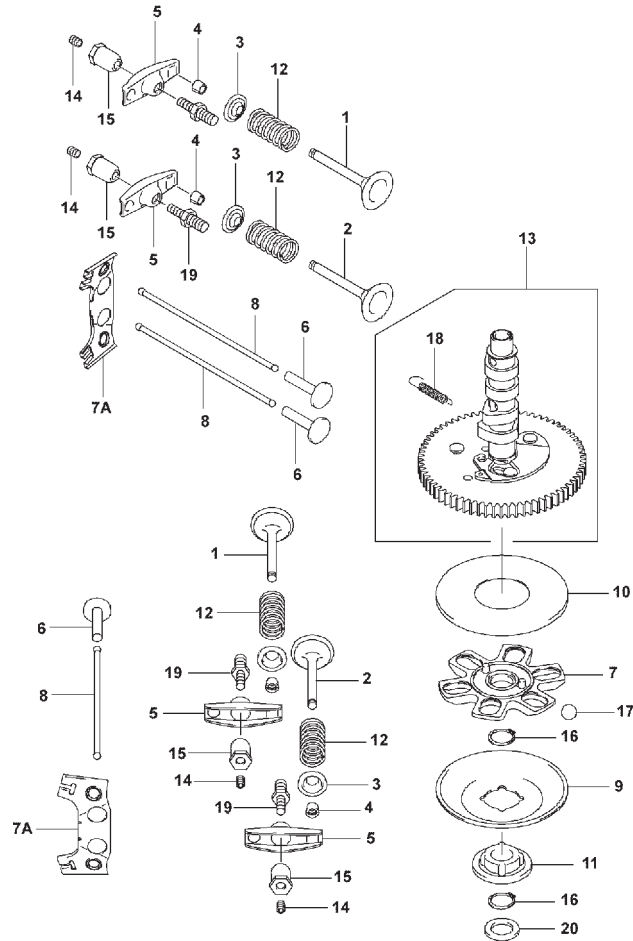
Reservdelar



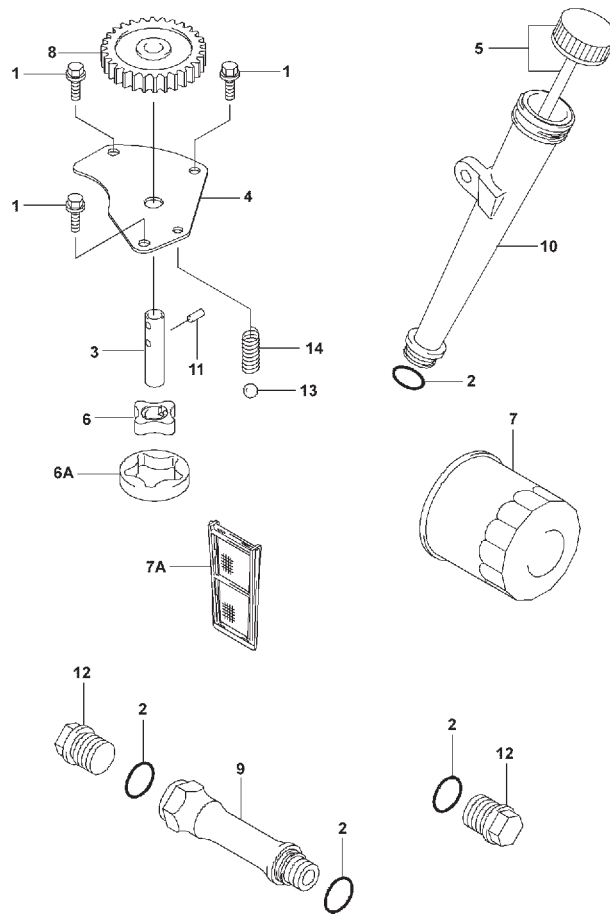
Ref.No	PartNo.	PartName	Qty
1	725 22 66-91	BOLT-FLANGED	4
1A	535 41 42-67	BOLT-FLANGED	4
1B	535 41 42-70	BOLT-FLANGED	18
1C	535 41 42-71	BOLT-FLANGED	2
2	535 41 45-07	BOLT-STUD	4
3	535 41 43-49	SCREW-PAN+-	1
4	535 41 42-02	GASKET-HEAD	2
5	535 41 42-05	HEAD-COMP-CYLINDER,#2	1
5A	535 41 42-06	HEAD-COMP-CYLINDER,#1	1
6	535 41 42-15	CASE-ROCKER	2
7	535 41 42-29	GASKET,CRANKCASE COVER	1
7A	535 41 42-30	GASKET,ROCKER CASE	2
7B	535 41 42-31	GASKET,BREATHER	1
8	535 41 42-85	PLATE	1
9	535 41 42-95	COVER	1
10	535 41 43-21	VALVE	1
11	535 41 43-74	COVER-CRANKCASE	1
12	535 41 43-91	ELEMENT-BREATHER	1
13	535 41 43-98	CRANKCASE-COMP	1
14	535 41 44-14	JOINT	1
15	535 41 44-42	RING-SNAP	2
16	535 41 44-46	PIN	6
17	535 41 44-49	SEAL-OIL	4
17A	535 41 44-50	SEAL-OIL	1
17B	535 41 44-51	SEAL-OIL	1
17C	535 41 44-52	SEAL-OIL	1



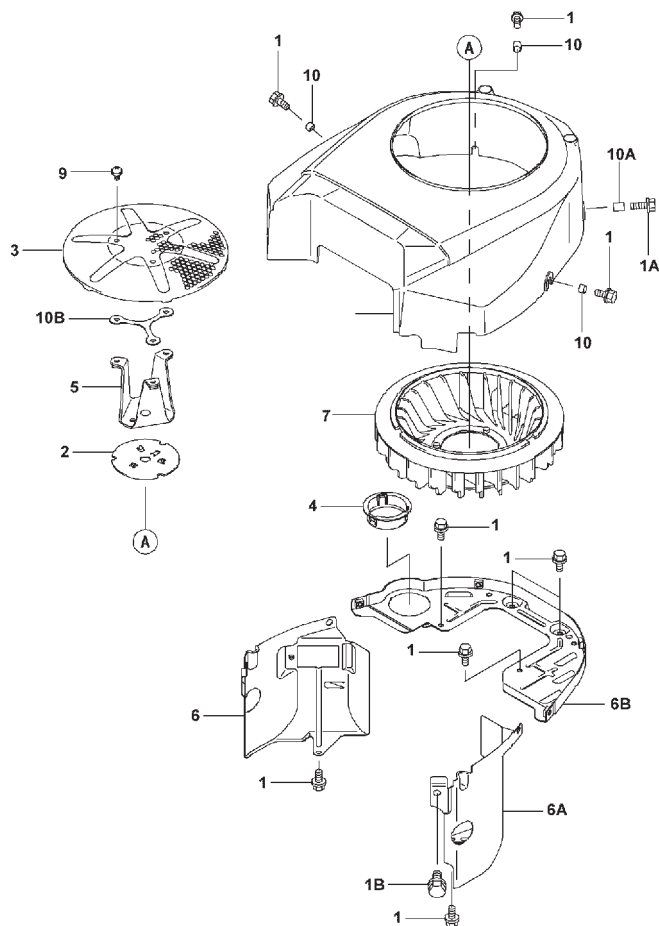
Ref.No	PartNo.	PartName	Qty
1	535 41 42-49	PISTON-ENGINE	2
2	535 41 42-51	PIN-PISTON	2
3	535 41 42-53	RING-SET-PISTON	2
4	535 41 42-55	RING-SET-PISTON L,0.50	AR
5	535 41 42-56	PISTON-ENGINE L,0.50	AR
6	535 41 42-59	CRANKSHAFT-COMP	1
7	535 41 42-80	ROD-ASSY-CONNECTING	2
8	535 41 44-21	BOLT	4
9	535 41 44-43	RING-SNAP	4



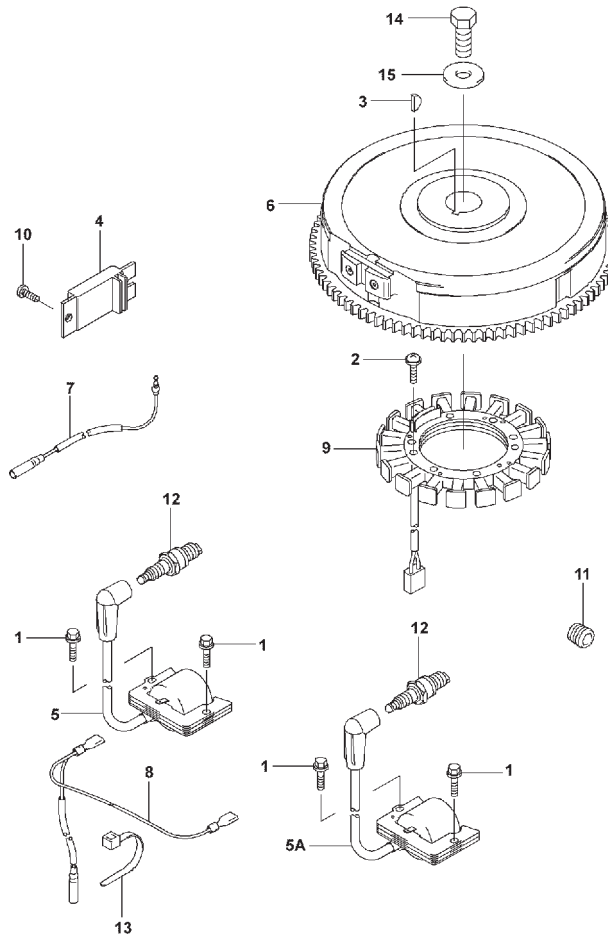
Ref.No	PartNo.	PartName	Qty
1	535 41 42-40	VALVE-INTAKE	2
2	535 41 42-42	VALVE-EXHAUST	2
3	535 41 42-44	RETAINER-VALVE SPRING	4
4	535 41 42-45	COLLET	8
5	535 41 42-47	ARM-ROCKER	4
6	535 41 42-48	TAPPET	4
7	535 41 42-61	GUIDE	1
7A	535 41 42-62	GUIDE	2
8	535 41 42-77	ROD-PUSH	4
9	535 41 42-82	PLATE	1
10	535 41 42-86	PLATE	1
11	535 41 43-69	SLEEVE	1
12	535 41 43-82	SPRING-ENGINE VALVE	4
13	535 41 43-96	CAMSHAFT-COMP	1
14	535 41 44-24	SCREW	4
15	531 00 11-81	NUT	4
16	535 41 44-40	RING-SNAP	2
17	535 41 44-70	BALL	6
18	535 41 44-73	SPRING	1
19	535 41 44-84	BOLT	4
20	535 41 45-03	WASHER	1



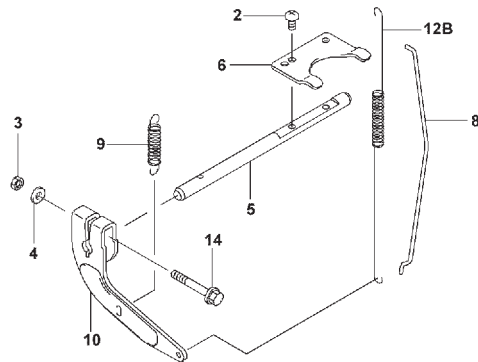
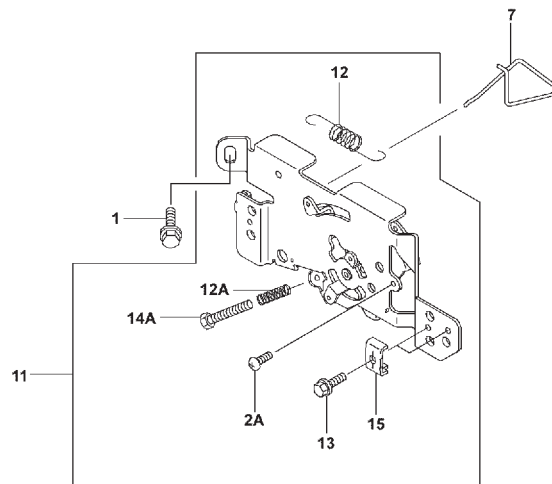
Ref. No.	Part No.	Part Name	Qty
1	725 23 66-61	BOLT-FLANGED	3
2	531 00 11-90	O RING	4
3	535 41 42-73	SHAFT	1
4	535 41 42-84	PLATE	1
5	535 41 42-93	CAP-ASSY	1
6	535 41 43-25	ROTOR-PUMP,IN	1
6A	535 41 43-26	ROTOR-PUMP,OUT	1
7	535 41 43-78	FILTER-OIL	1
7A	535 41 43-79	FILTER-OIL	1
8	535 41 44-11	GEAR-SPUR	1
9	535 41 44-16	JOINT	1
10	535 41 44-20	FILLER	1
11	535 41 44-47	PIN	1
12	535 41 44-60	PLUG	2
13	535 41 44-71	BALL	1
14	535 41 44-74	SPRING	1



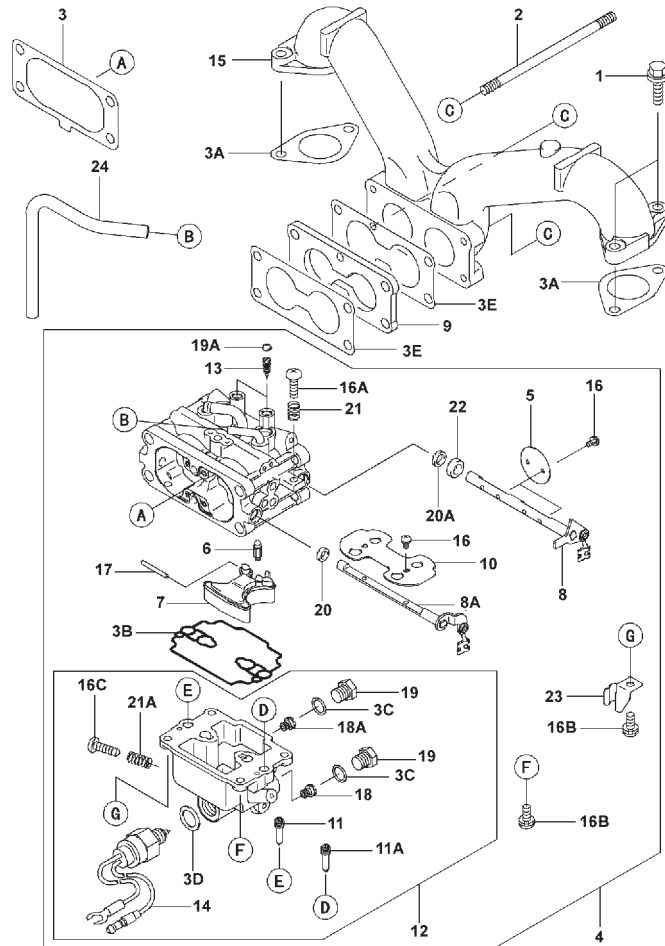
Ref.No	PartNo.	PartName	Qty
1	535 41 42-64	BOLT-FLANGED	9
1A	535 41 42-68	BOLT-FLANGED	1
1B	535 41 42-68	BOLT-FLANGED	1
2	535 41 42-62	PLATE	1
3	535 41 42-90	SCREEN	1
4	535 41 42-94	COVER	1
5	535 41 43-53	BRACKET-COMP	1
6	535 41 43-86	SHROUD-ENGINE	1
6A	535 41 43-87	SHROUD-ENGINE	1
6B	535 41 43-88	SHROUD-ENGINE	1
7	535 41 44-10	FAN	1
8	535 41 44-13	HOUSING-FAN	1
9	535 41 44-31	SCREW,6X10	3
10	535 41 44-35	SPACER,6.2X7.9X5	3
10A	535 41 44-36	SPACER,6.5X7.9X10.5	1
10B	535 41 44-38	SPACER	AR



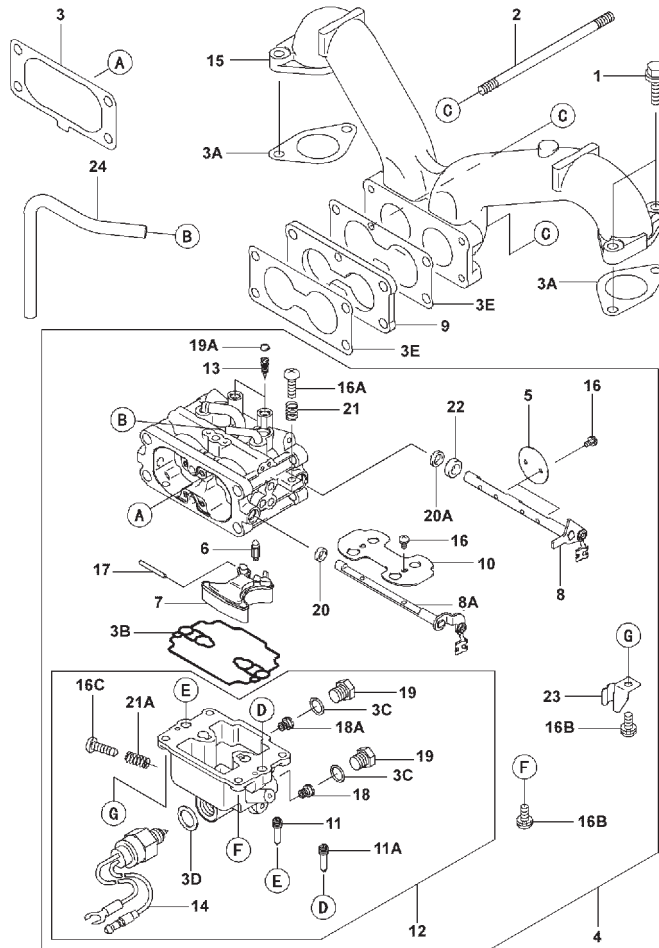
Ref.No	PartNo.	PartName	Qty
1	535 41 42-64	BOLT-FLANGED	4
2	535 41 43-51	SCREW-PAN-WP-CROS	4
3	535 41 44-02	KEY-WOODRUFF	1
4	535 41 43-40	REGULATOR-VOLTAGE	1
5	535 41 43-43	COIL-ASSY-IGNITION	1
5A	535 41 43-44	COIL-ASSY-IGNITION	1
6	535 41 43-47	FLYWHEEL-ASSY	1
7	535 41 43-58	WIRE-LEAD,L=540	1
8	535 41 43-60	HARNESS	1
9	535 41 44-08	COIL-CHARGING	1
10	531 00 12-78	SCREW	1
11	535 41 44-59	PLUG	1
12	535 41 44-64	PLUG-SPARK,BPR4ES(NGK),	2
13	535 41 44-65	BAND	2
14	535 41 44-83	BOLT,12X30	1
15	535 41 45-04	WASHER	1



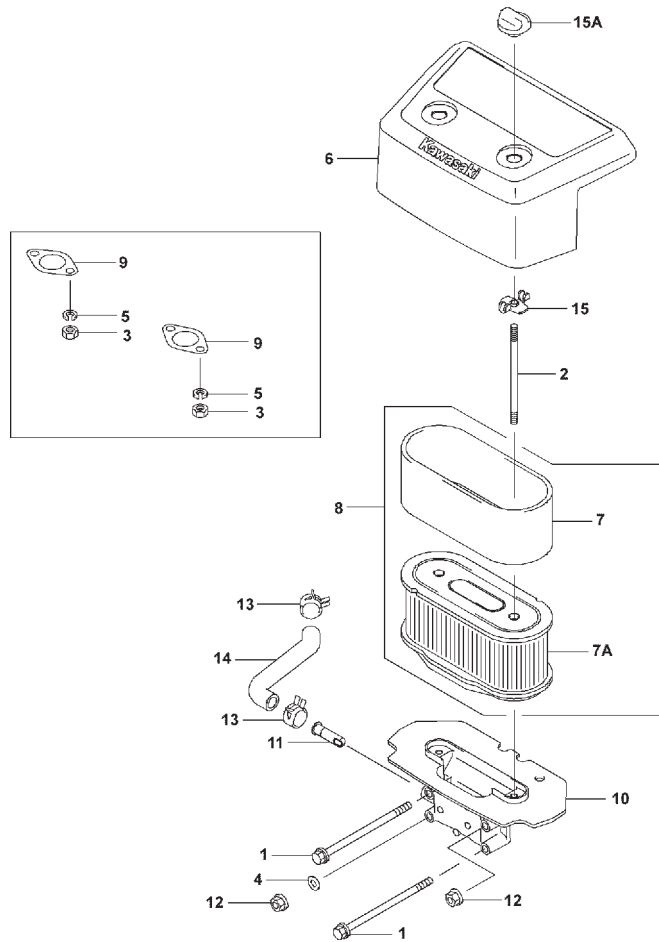
Ref.No	PartNo.	PartName	Qty
1	725 23 66-61	BOLT-FLANGED	2
2	535 41 43-49	SCREW-PAN+	2
2A	723 22 91-81	SCREW-PAN+	1
3	535 41 43-62	NUT-HEX	1
4	535 41 43-68	WASHER-PLAIN	1
5	535 41 42-75	SHAFT	1
6	535 41 42-89	PLATE	1
7	535 41 43-30	LINK-CHOKE	1
8	535 41 43-32	LINK	1
9	535 41 43-66	SPRING-GOVERNOR	1
10	535 41 43-89	ARM-GOVERNOR	1
11	535 41 43-92	PANEL-COMP-CONTROL	1
12	535 41 44-77	SPRING	1
12A	535 41 44-78	SPRING	1
12B	535 41 44-79	SPRING	1
13	535 41 44-82	BOLT,5X18	2
14	535 41 44-85	BOLT,6X30	1
14A	535 41 44-87	BOLT,5X30	1
15	535 41 44-90	CLAMP	2



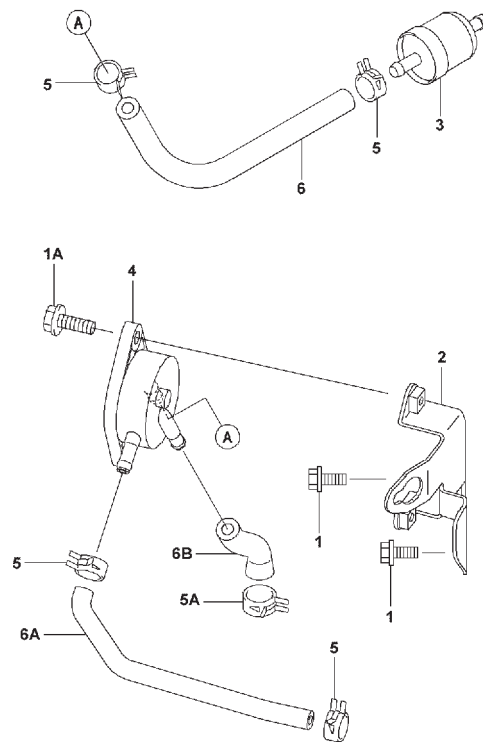
Ref.No	PartNo.	PartName	Qty
1	535 41 42-64	BOLT-FLANGED	4
2	535 41 43-35	BOLT-STUD	2
3	535 41 42-27	GASKET,AIR FILTER	1
3A	535 41 42-28	GASKET	2
3B	535 41 42-33	GASKET,FLOAT CHAMBER	1
3C	535 41 42-34	GASKET,MAIN PLUG	2
3D	535 41 42-35	GASKET,SOLENOID	1
3E	535 41 42-37	GASKET,CARBURETOR	2
4	535 41 42-98	CARBURETOR-ASSY	1
5	535 41 43-06	VALVE-THROTTLE	2
6	535 41 43-07	VALVE-FLOAT	1
7	535 41 43-08	FLOAT	1
8	535 41 43-14	SHAFT-CARBURETOR	1
8A	535 41 43-17	SHAFT-CARBURETOR,CHOKE	1
9	535 41 43-20	INSULATOR	1
10	535 41 43-22	VALVE,CHOKE	1
11	535 41 43-27	JET-SLOW	1
11A	535 41 43-28	JET-SLOW	1
12	535 41 43-33	CHAMBER-ASSY-FLOAT	1
13	535 41 43-34	NEEDLE-JET	2
Correction: 15	535 41 44-18	MANIFOLD-INTAKE	1
14	535 41 43-46	SOLENOID	1
15	535 41 44-17		
16	535 41 44-27	SCREW	6
16A	535 41 44-28	SCREW	1
16B	535 41 44-29	SCREW	4



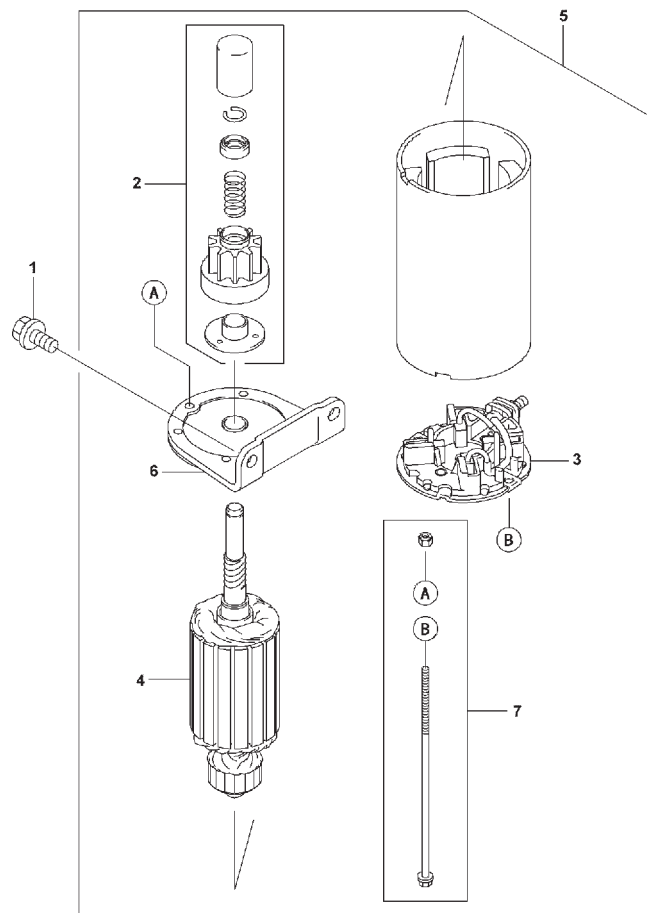
Ref.No	PartNo.	PartName	Qty
16C	535 41 44-30	SCREW,DRAIN	1
17	535 41 44-48	PIN,FLOAT	1
18	535 41 44-55	JET-MAIN	1
18A	535 41 44-56	JET-MAIN	1
19	535 41 44-61	PLUG,MAIN JET	2
19A	535 41 44-62	PLUG,EXPANSION	2
20	535 41 44-68	SEAL,D=5.9	1
20A	535 41 44-69	SEAL,D=6.9	1
21	535 41 44-80	SPRING	1
21A	535 41 44-81	SPRING	1
22	535 41 44-88	COLLAR	1
23	535 41 44-92	CLAMP	1
24	535 41 45-01	TUBE,4.76X7.94X160	1



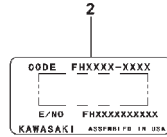
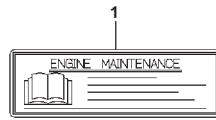
Ref.No	PartNo.	PartName	Qty
1	535 41 42-63	BOLT-FLANGED	2
2	535 41 43-37	BOLT-STUD	2
3	535 41 43-63	NUT-HEX-SMALL	4
4	535 41 43-68	WASHER-PLAIN	1
5	535 41 43-72	WASHER-SPRING	4
6	535 41 42-10	CASE-AIR FILTER	1
7	535 41 42-13	ELEMENT-AIR FILTER	1
7A	535 41 42-14	ELEMENT-AIR FILTER	1
8	535 41 42-17	ELEMENT-ASSY-AIR FILTER	1
9	535 41 42-32	GASKET,MUFFLER	2
10	535 41 43-18	PIPE-INTAKE	1
11	535 41 43-70	SLEEVE	1
12	535 41 44-32	NUT	2
13	535 41 44-44	CLAMP	2
14	535 41 44-98	TUBE	1
15	535 41 45-05	NUT	2
15A	535 41 45-06	NUT	2



Ref.No	PartNo.	PartName	Qty
1	725 23 68-61	BOLT-FLANGED	2
1A	535 41 42-64	BOLT-FLANGED	2
2	535 41 43-52	BRACKET-COMP	1
3	535 41 43-76	FILTER-FUEL	1
4	535 41 43-77	PUMP-FUEL	1
5	535 41 44-89	CLAMP	4
5A	535 41 44-91	CLAMP	1
6	535 41 44-95	TUBE,6.35X12.7X160	1
6A	535 41 44-97	TUBE	1
6B	535 41 44-99	TUBE	1



Ref. No.	Part No.	Part Name	Qty
1	535 41 42-68	BOLT-FLANGED	2
2	535 41 42-72	GEAR-ASSY	1
3	535 41 43-38	BRUSH	1
4	535 41 43-41	ARMATURE	1
5	535 41 43-42	STARTER-ELECTRIC	1
6	535 41 43-67	BRACKET-ASSY	1
7	535 41 43-86	BOLT	1



Ref. No.	Part No.	Part Name	Qty
1	535 41 44-03	LABEL-MANUAL	1
2	535 41 44-04	LABEL-PRODUCT	1
3	535 41 44-06	LABEL-BRAND	1



Kawasaki Air Filter

FH541-S52

FH641-S53

Spare parts

Ersatzteile

Pièces détachées

Reserve onderdelen

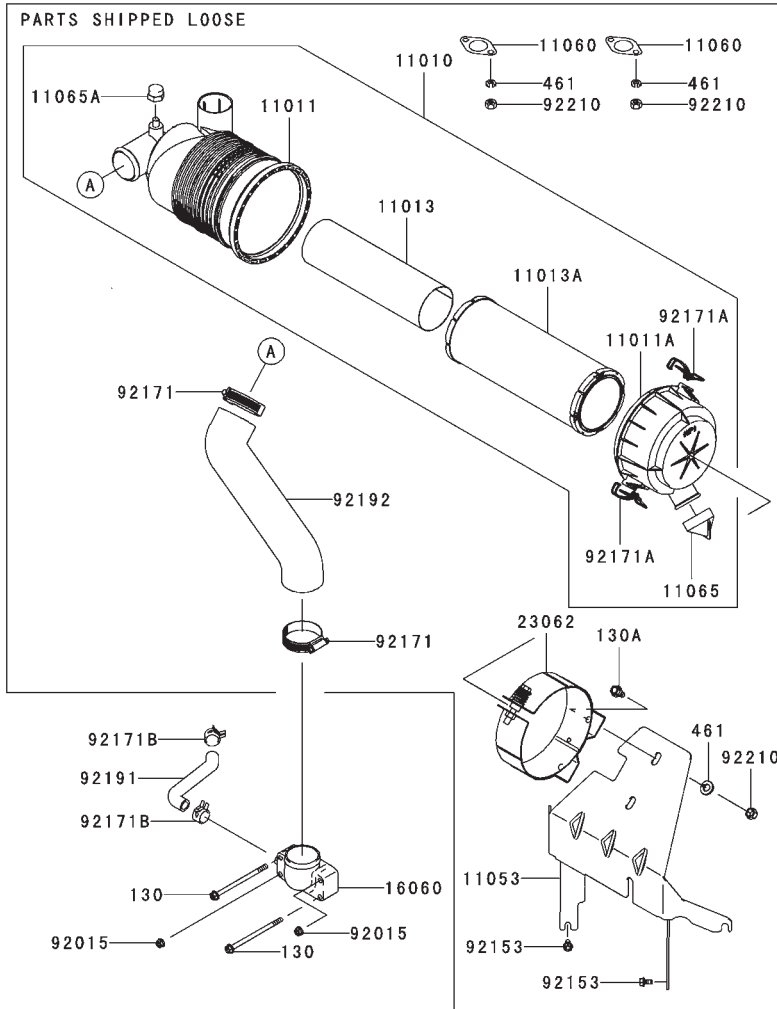
Repuestos

Reservdelar

This catalog covers:
FH641V- □ S53

GRID NO. This grid covers:
C-03 AIR-FILTER/MUFFLER

E0190-B049A



Ref. No.	Part No.	Description	HQV Part No.	Quantity	
				A	B
11010	11010-7011	FILTER-ASSY-AIR	510 12 43-01	1	1
11011	11011-7013	CASE-AIR FILTER		1	1
11011A	11011-7014	CASE-AIR FILTER		1	1
11013	11013-7019	ELEMENT-AIR FILTER	535 46 64-20	1	1
11013A	11013-7020	ELEMENT-AIR FILTER	535 46 64-21	1	1
11053	11053-7016	BRACKET		1	1
11060	11060-7016	GASKET,MUFFLER		2	2
11065	11065-7008	CAP		1	1
11065A	11065-7009	CAP	535 46 64-25	1	1
16060	16060-7021	PIPE-INTAKE		1	1
23062	23062-7009	BRACKET-COMP		1	1
92015	92015-1193	NUT		2	2
92153	92153-7043	BOLT,6X12		2	2
92171	92171-7007	CLAMP	535 46 64-28	2	2
92171A	92171-7009	CLAMP	535 46 64-29	2	2
92171B	92171-7013	CLAMP		2	2
92191	92191-7006	TUBE		1	1
92192	92192-7030	TUBE	510 12 39-01	1	1
92210	92210-7027	NUT,M8		6	6
130	130AA06105	BOLT-FLANGED,6X105		2	2
130A	130AA0814	BOLT-FLANGED,8X14		2	2
461	461DA0800	WASHER-SPRING,8MM		6	6

This catalog covers:

FH541V- □ S52

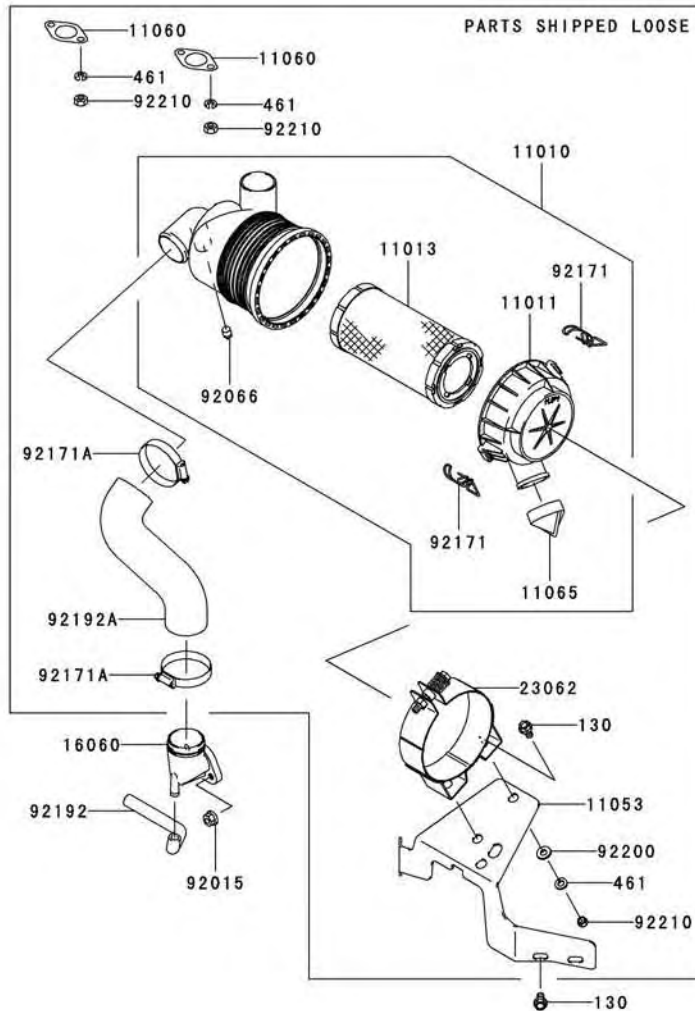
GRID NO.

B-11

This grid covers:

AIR-FILTER/MUFFLER

E0190-B046A



Ref. No.	Part No.	Description	HQV Part No.	Quantity	
				A	B
11010	11010-7017	FILTER-ASSY-AIR	510 12 44 -01	1	1
11011	11011-7032	CASE-AIR FILTER		1	1
11013	11013-7029	ELEMENT-AIR FILTER	510 12 40-01	1	1
11053	11053-7019	BRACKET		1	1
11060	11060-7021	GASKET,MUFFLER		2	2
11065	11065-7008	CAP	535 46 64-25	1	1
16060	16060-7011	PIPE-INTAKE		1	1
23062	23062-7012	BRACKET-COMP		1	1
92015	92015-1193	NUT		2	2
92066	92066-7018	PLUG		1	1
92171	92171-7009	CLAMP	535 46 64-29	2	2
92171A	92171-7010	CLAMP		2	2
92192	92192-7013	TUBE		1	1
92192A	92192-7095	TUBE	510 12 39-02	1	1
92200	92200-1213	WASHER,8.5X18X2.3		2	2
92210	92210-7027	NUT,M8		6	6
130	130AA0816	BOLT-FLANGED,8X16		3	3
461	461DA0800	WASHER-SPRING,8MM		6	6